

Stock Code: **62165-BS/FST**

Collection: Lola

### PRODUCT INFORMATION

Base: 62165 Parent: 62165  
Mounting Type: Wall UPC: 641594237870  
Finish: Brushed Steel  
Diffuser: Frosted

### PRODUCT MEASUREMENTS

| FIXTURE          | BACKPLATE / CANOPY |
|------------------|--------------------|
| Length:          | Length             |
| Width: 7.25"     | Width: 7.25"       |
| Diameter         | Diameter:          |
| Height: 10"      | Height: 10"        |
| Extension: 4.25" |                    |
| Overall Height:  |                    |

### TECHNICAL SPECIFICATIONS

#### SPECIFICATIONS

Frame Material: Metal  
Diffuser Material: Glass  
Lamping Type: E-26 (Incandescent) Jbox: Standard  
Lamping Base: E-26 Lamp Wattage: 60 W  
Lamp Quantity: 1 Total Wattage: 60 W  
Voltage: 120v Lamps Included: No

#### QUALIFICATIONS

Location Rating Damp  
Certification: UL (US/Canada) Listed  
ADA Compliant: No Energy Star: No  
JA8 Compliant: No Emergency Lighting: No  
Marine Grade: No Warranty: 1 Year

#### PHOTOMETRICS

Dimmable: Yes Nominal Lumens N/A  
CRI: N/A Delivered Lumens: N/A  
CCT: N/A  
Recommended Dimmers:

Additional Notes:

Custom Finish 5 Piece Minimum Order Quantity

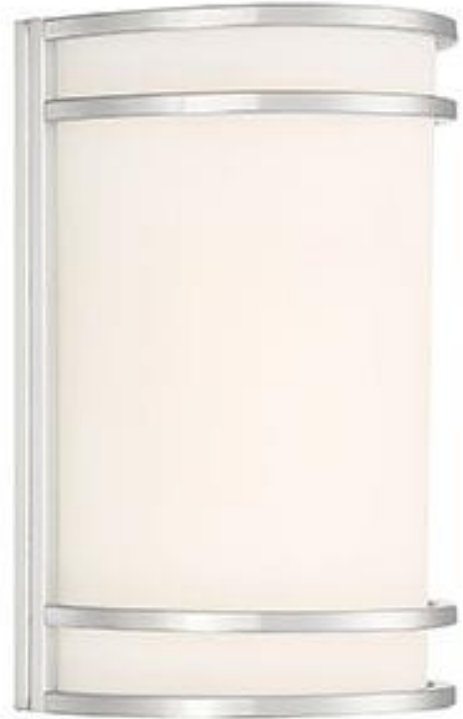
Project Name: \_\_\_\_\_

Location: \_\_\_\_\_

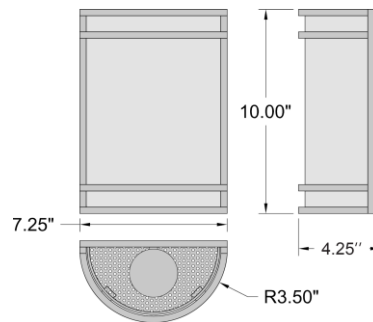
Type: \_\_\_\_\_

Quantity: \_\_\_\_\_

Notes:



#### LINE DRAWING



#### IES FILE

In addition to Access Lighting's purchase and warranty terms and conditions, by signing below or placing an order, you agree that you are authorized to bind the entity placing any order and acknowledge the following: All of sizes and measurements are approximate and all images are for illustrative purposes only. In the event of an inconsistency, the "Product Measurements" section controls. There also may be slight differences in the colors and designs compared to the displayed and printed images.

Signature: \_\_\_\_\_

Print Name \_\_\_\_\_ Date: \_\_\_\_\_

Toll Free 800-828-5483 [www.AccessLighting.com](http://www.AccessLighting.com)

14410 Myford Road, Irvine, CA 92606

The information is subject to change without notice.

11/3/2022

62165-BS\_FST.pdf

